



Eigenschaften :

- Universal AC Weitbereichseingang
- Kurzschlussfest - Überlastsicherung
- Kein Lüfter erforderlich
- LED Betriebsanzeige
- 100% full load burn-in test
- Long life Kondensatoren für hohe Lebensdauer
- Lieferbar für 12 und 24 V / DC
andere Spannungen auf Anfrage

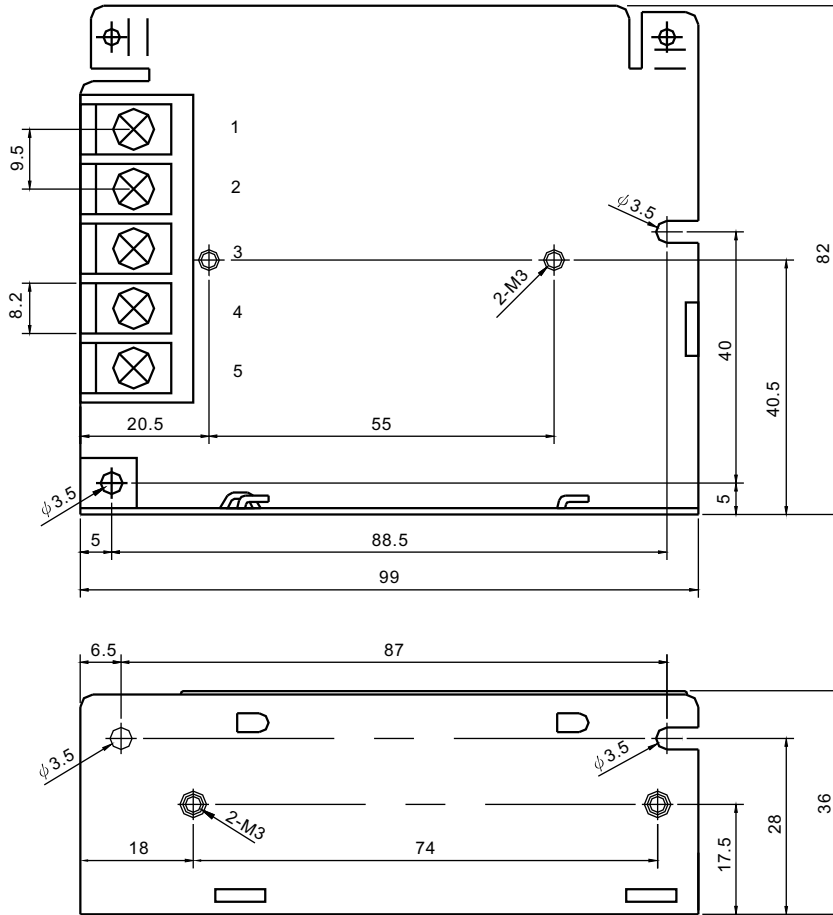


SPECIFICATION

| MODEL | RS-35-3.3 | RS-35-5 | RS-35-12 | RS-35-15 | RS-35-24 | RS-35-48 | |
|------------------|---|---|--------------|--------------|----------------|--------------|--------------|
| OUTPUT | DC VOLTAGE | 3.3V | 5V | 12V | 15V | 24V | 48V |
| | RATED CURRENT | 7A | 7A | 3A | 2.4A | 1.5A | 0.8A |
| | CURRENT RANGE | 0 ~ 7A | 0 ~ 7A | 0 ~ 3A | 0 ~ 2.4A | 0 ~ 1.5A | 0 ~ 0.8A |
| | RATED POWER | 23.1W | 35W | 36W | 36W | 36W | 38.4W |
| | RIPPLE & NOISE (max.) | 80mVp-p | 80mVp-p | 120mVp-p | 120mVp-p | 120mVp-p | 200mVp-p |
| | VOLTAGE ADJ. RANGE | 2.9V ~ 3.6V | 4.5 ~ 5.5V | 10.8 ~ 13.2V | 13.5 ~ 16.5V | 22 ~ 27.6V | 42 ~ 54V |
| | VOLTAGE TOLERANCE | ±3.0% | ±2.0% | ±1.0% | ±1.0% | ±1.0% | ±1.0% |
| | LINE REGULATION | ±0.5% | ±0.5% | ±0.5% | ±0.5% | ±0.5% | ±0.5% |
| | LOAD REGULATION | ±2.0% | ±1.0% | ±0.5% | ±0.5% | ±0.5% | ±0.5% |
| | SETUP, RISE TIME | 500ms, 30ms/230VAC 1200ms, 30ms/115VAC at full load | | | | | |
| HOLD TIME (Typ.) | 80ms/230VAC 15ms/115VAC at full load | | | | | | |
| INPUT | VOLTAGE RANGE | 88 ~ 264VAC 125 ~ 373VDC (Withstand 300VAC surge for 5sec. Without damage) | | | | | |
| | FREQUENCY RANGE | 47 ~ 63Hz | | | | | |
| | EFFICIENCY(Typ.) | 73% | 77% | 81% | 83% | 84% | 84% |
| | AC CURRENT (Typ.) | 0.8A/115VAC 0.55A/230VAC | | | | | |
| | INRUSH CURRENT (Typ.) | COLD START 36A/230VAC | | | | | |
| | LEAKAGE CURRENT | <2mA / 240VAC | | | | | |
| PROTECTION | OVER LOAD | 110 ~ 150% rated output power Protection type : Hiccup mode, recovers automatically after fault condition is removed | | | | | |
| | OVER VOLTAGE | 3.8 ~ 4.45V | 5.75 ~ 6.75V | 13.8 ~ 16.2V | 17.25 ~ 20.25V | 27.6 ~ 32.4V | 55.2 ~ 64.8V |
| ENVIRONMENT | WORKING TEMP. | -25 ~ +70°C (Refer to output load derating curve) | | | | | |
| | WORKING HUMIDITY | 20 ~ 90% RH non-condensing | | | | | |
| | STORAGE TEMP, HUMIDITY | -40 ~ +85°C, 10 ~ 95% RH | | | | | |
| | TEMP. COEFFICIENT | ±0.03%/°C (0 ~ 50°C) | | | | | |
| | VIBRATION | 10 ~ 500Hz, 5G 10min./1cycle, period for 60min. each along X, Y, Z axes | | | | | |
| SAFETY & EMC | SAFETY STANDARDS | UL60950-1, TUV EN60950-1 Approved | | | | | |
| | WITHSTAND VOLTAGE | I/P-O/P:3KVAC I/P-FG:1.5KVAC O/P-FG:0.5KVAC | | | | | |
| | ISOLATION RESISTANCE | I/P-O/P, I/P-FG, O/P-FG:100M Ohms/500VDC | | | | | |
| | NOITAIADAR&CONDUCTIONEMI | Compliance to EN55022 (CISPR22) Class B | | | | | |
| | HARMONIC CURRENT | Compliance to EN61000-3-2,-3 | | | | | |
| OTHERS | EMS IMMUNITY | Compliance to EN61000-4-2,3,4,5,6,8,11; ENV50204, EN61000-6-2 (EN50082-2) heavy industry level, criteria A | | | | | |
| | MTBF | 249Khrs min. MIL-HDBK-217F (25°C) | | | | | |
| | DIMENSION | 99*82*36mm (L*W*H) | | | | | |
| | PACKING | 0.3Kg; 45pcs/14Kg/0.83CUFT | | | | | |

Mechanical Specification

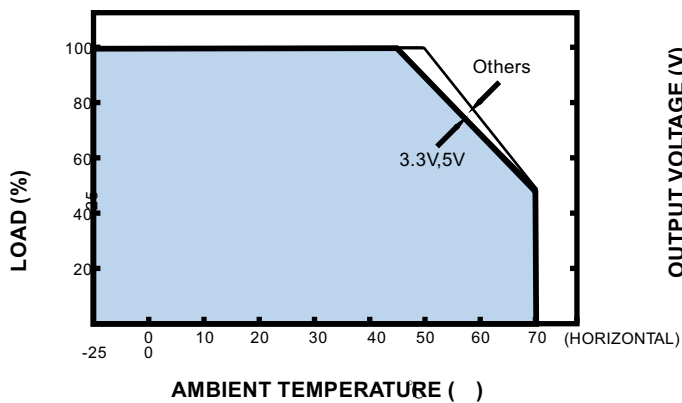
Case No. 932A Unit:mm



Terminal Pin. No Assignment

| Pin No. | Assignment | Pin No. | Assignment |
|---------|------------|---------|--------------|
| 1 | AC/L | 4 | DC OUTPUT -V |
| 2 | AC/N | 5 | DC OUTPUT +V |
| 3 | FG \perp | | |

Output Derating



Static Characteristics (24V)

